

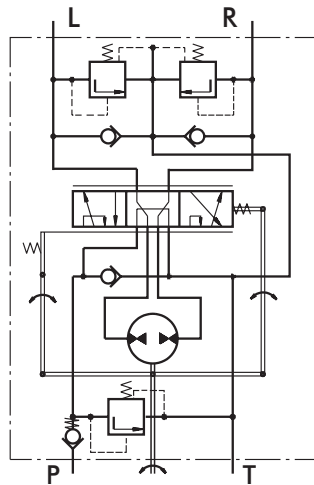
HYDROSTATIC STEERING UNITS TYPE XY.../1, 2



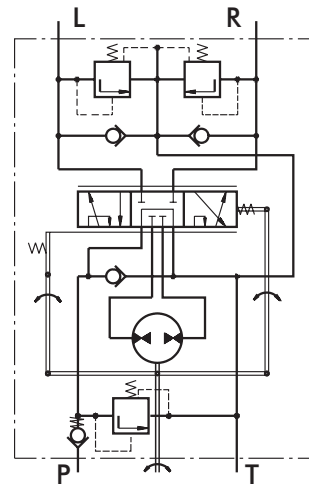
The M+S Hydraulic Hydrostatic Steering units are used in low-speed vehicles which driving speed does not exceed 60 km/h - such as: building machines, fork-lift trucks, harvesting machines, off-highway equipment and others. These hydraulic units amplify the torque to the steering wheels, with no need of hard mechanical connection.

The XY hydrostatic steering unit incorporates an axially displaced tracing valve and a metering pump in one housing. The working liquid is supplied by a separate pump and then is directed by the metering pump to the steering cylinders.

The XY steering unit is manufactured with built-in check valves, and there is an option for a built-in relief valve in the inlet.



"Open Center - Load Reaction"
With Built-in Valves
Version 1 - XY.../1



"Open Center - Non Load Reaction"
With Built-in Valves
Version 2 - XY.../2

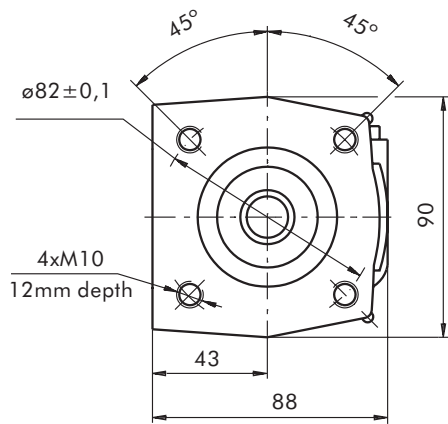
SPECIFICATION DATA

Parameters	Type											
	XY 65/1,2	XY 75/1,2	XY 85/1,2	XY 100/1,2	XY 120/1,2	XY 145/1,2	XY 170/1,2	XY 195/1,2	XY 245/1,2	XY 295/1,2	XY 340/1,2	XY 390/1,2
Displacement [cm ³ /rev]	64	72	84	96	120	144	167	191	240	287	334	382
Rated Flow [l/min]	6		9		12		17		24		40	
Rated Pressure [bar]	150											
Relief Valve Pressure Settings* [bar]	80			100		125		150				
Shock Valves Pressure Setting** [bar]	200											
Max.Cont.Pressure in Line T - P _T [bar]	20											
Max.Torque at Servoamplifying [Nm]	7,5 (by P _T max)											
Max.Torque w/o Servoamplifying [Nm]	125											
Weight, avg. [kg]	6,0	6,2	6,4	6,5	6,6	6,8	7,0	7,1	7,3	7,5	8,0	8,4
Dimension A [mm]	134	135	136,3	138,5	141,5	144,5	148	151	157,5	163,5	170	176,5

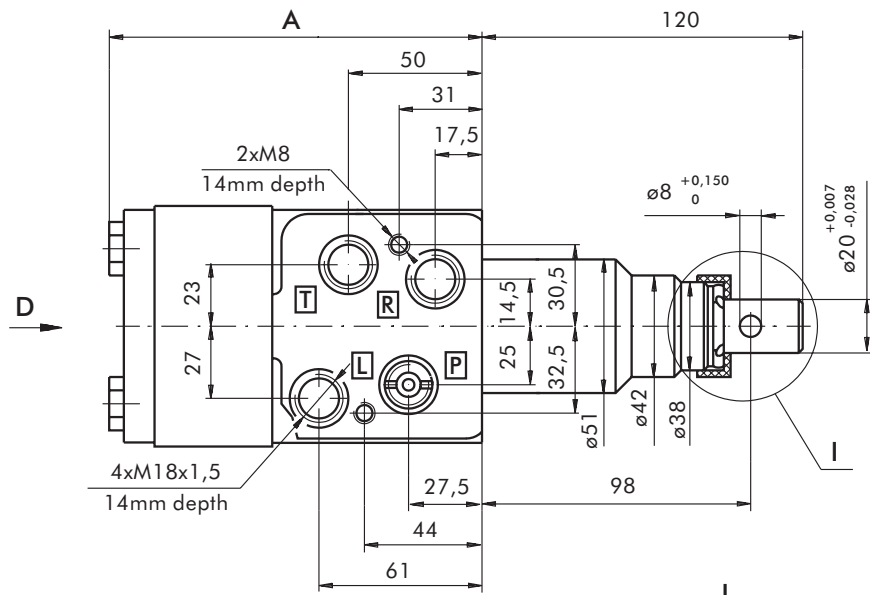
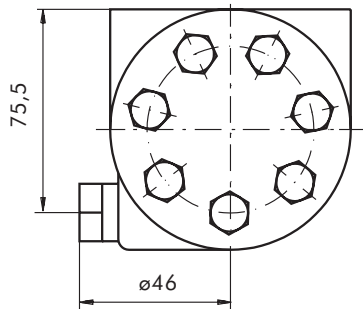
* Pressure Settings are at Rated Flow (as in the table) and viscosity 21 mm²/s (50° C).

**Pressure Settings are at flow rate of 4 l/min and viscosity 21 mm²/s (50° C).

DIMENSIONS AND MOUNTING DATA

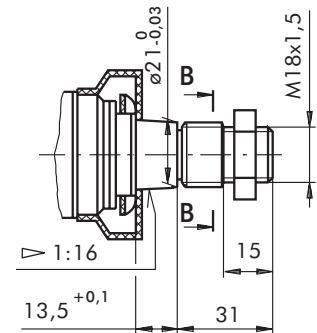
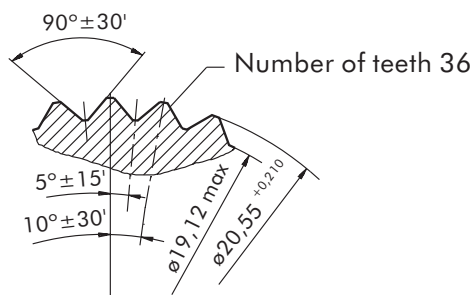


With relief valve



B - B

Shaft Extension Version "A"



ORDER CODE

1	2	3	4	5	6
XY	/	-	-		

Pos.1 - Displacement code

65	- 64 [cm ³ /rev]
75	- 72 [cm ³ /rev]
85	- 84 [cm ³ /rev]
100	- 96 [cm ³ /rev]
120	- 120 [cm ³ /rev]
145	- 144 [cm ³ /rev]
170	- 167 [cm ³ /rev]
195	- 191 [cm ³ /rev]
245	- 240 [cm ³ /rev]
295	- 287 [cm ³ /rev]
340	- 344 [cm ³ /rev]
390	- 382 [cm ³ /rev]

Pos.2 - Versions

1	- Version 1 "Open Center - Load Reaction"
2	- Version 2 "Open Center - Non Load Reaction"

Pos.3 - Relief Valve Pressure Settings, bar

80	
100	
125	
150	
0	- without Relief Valve

Pos.4 - Shaft Extension

- omit - Standard driving shaft for connection to the steering column
- A** - Driving shaft for direct connection to the steering wheel

Pos.5 - Option (Paint)*

- omit - No Paint
- P** - Painted
- PC** - Corrosion Protected Paint

Pos.6 - Design Series

- omit - Factory specified

NOTES:

* Colour at customer's request.

The steering units are mangano-phosphatized as standard.